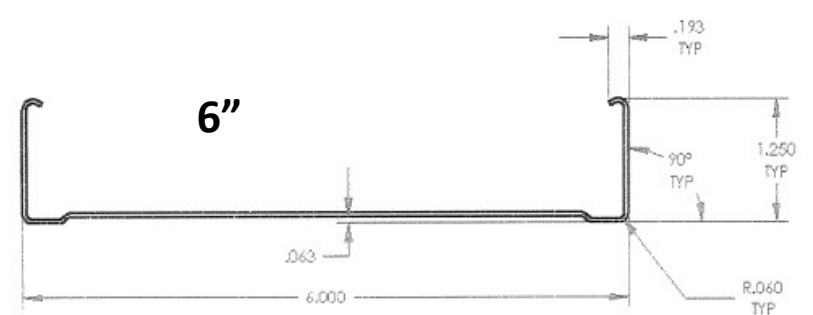
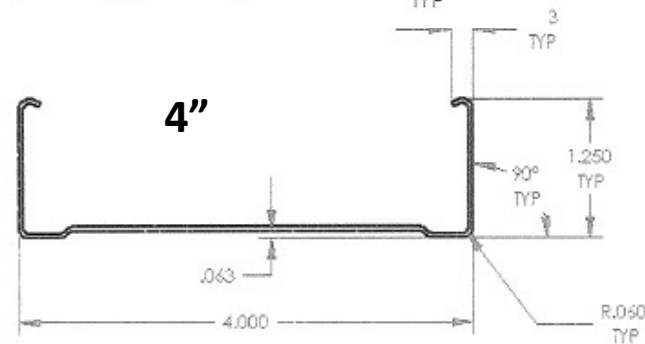
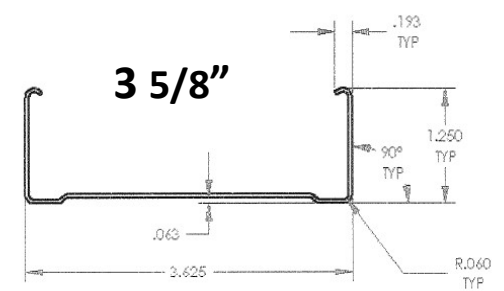
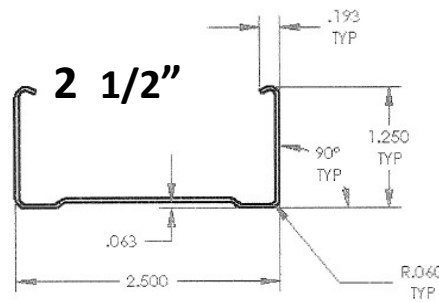
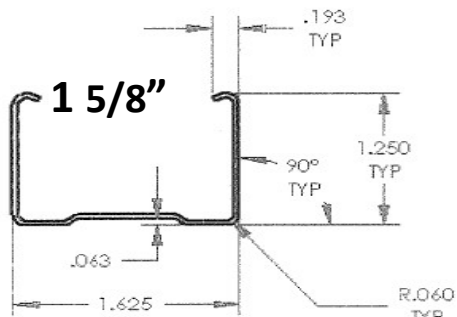


PRODUCT NAME:	STUD - Interior Framing Non Load Baring				
MATERIAL	Hot Dipped Galvanized Steel Sheet in Coil. ASTM A653, Commercial Steel, Type B, Chemical Treated, Dry No Oil.				
WIDTHS	1 5/8"	2 1/2"	3 5/8"	4"	6"
	1.6250 in	2.5000 in	3.6250 in	4.0000 in	6.0000 in
WEIGHT 25 (lb/ft)	0.2420	0.2970	0.3530	0.3776	0.5029
WEIGHT 20 (lb/ft)	0.3082	0.3742	0.4484	0.4797	0.6162
TOLERANCE	± 2.5%				
COATING	G40 G60 G90				
THICKNESS	.016 in (+/- 5%) - .022 in (+/- 5%)				
TENSILE	50-ksi – 65-ksi				
YIELD	40-ksi				
DIMENSIONS TOLERANCE	LINEAR +/- 0.06 in ANGULAR +/- 3 °				

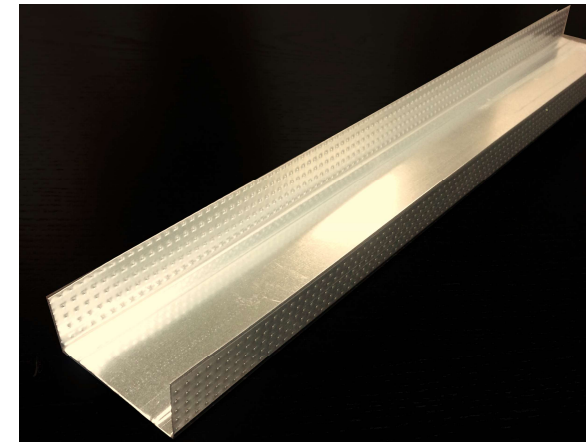


www.clarcompany.com

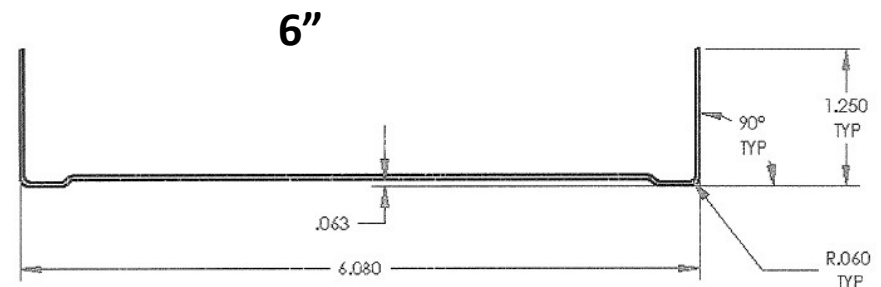
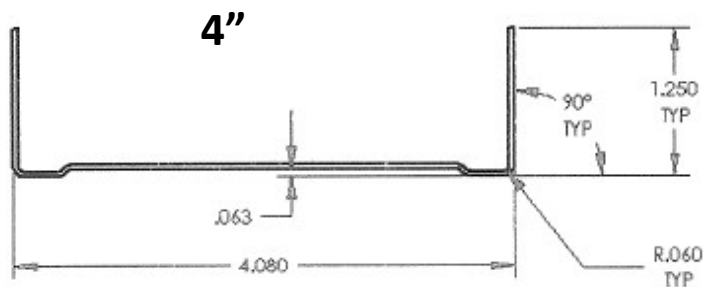
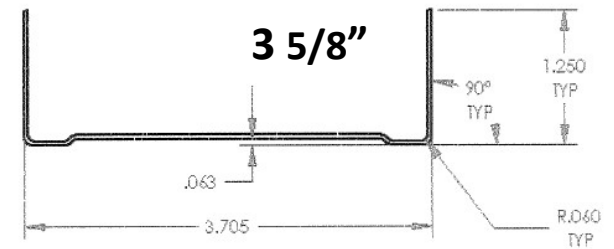
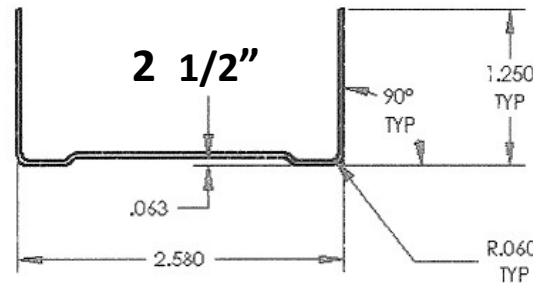
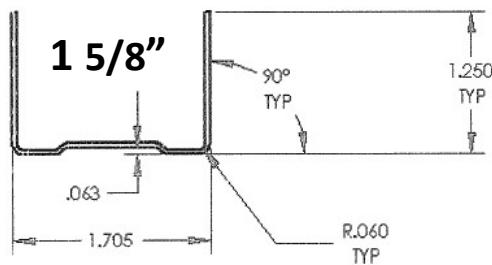




www.clarcompany.com



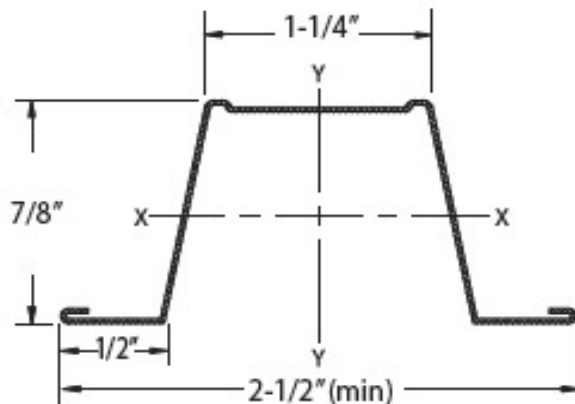
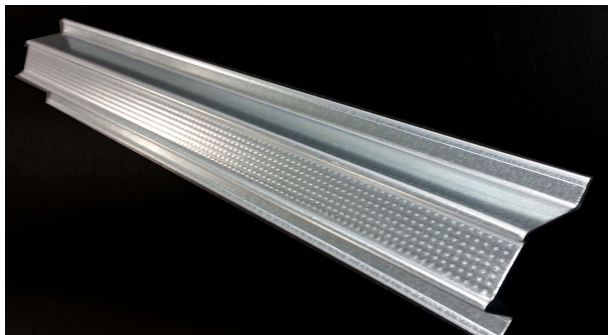
PRODUCT NAME:	TRACK - Interior Framing Non Load Baring				
MATERIAL	Hot Dipped Galvanized Steel Sheet in Coil. ASTM A653, Commercial Steel, Type B, Chemical Treated, Dry No Oil.				
WIDTHS	1 5/8"	2 1/2"	3 5/8"	4"	6"
	1.7050 in	2.5080 in	3.7050 in	4.0800 in	6.0800 in
WEIGHT 25 (lb/ft)	0.2195	0.2653	0.3289	0.3530	0.4569
WEIGHT 20 (lb/ft)	0.2773	0.3378	0.4188	0.4820	0.5510
TOLERANCE	± 2.5%				
COATING	G40 G60 G90				
THICKNESS	.016 in (+/- 5%) - .022 in (+/- 5%)				
TENSILE	50-ksi – 65-ksi				
YIELD	40-ksi				
DIMENSIONS TOLERANCE	LINEAR +/- 0.06 in ANGULAR +/- 3°				



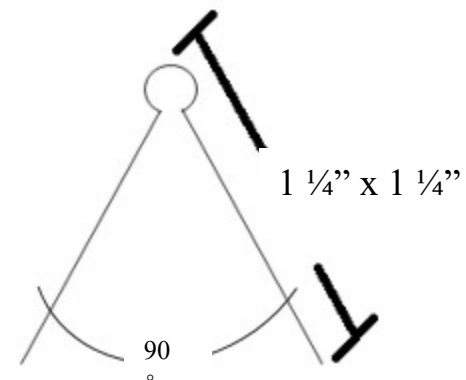
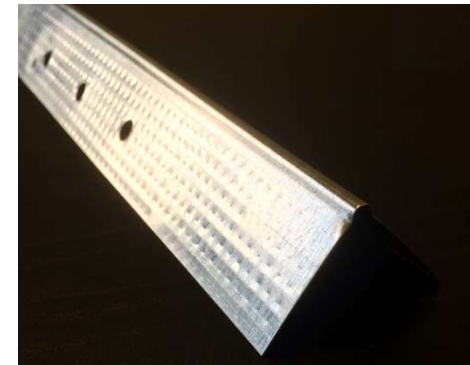


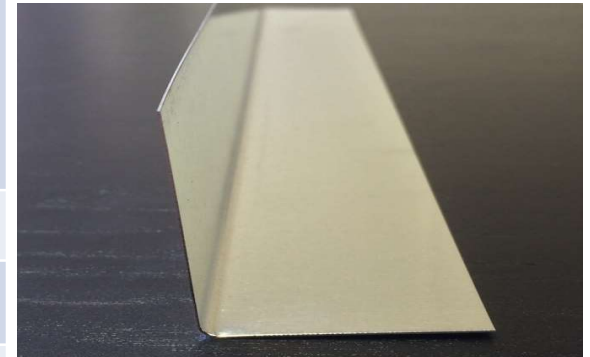
www.clarcompany.com

PRODUCT NAME:	FURRING CHANNEL 7/8" <i>Interior Framing Non Load Baring</i>
MATERIAL	Hot Dipped Galvanized Steel Sheet in Coil. ASTM A653, Commercial Steel, Type B, Chemical Treated, Dry No Oil.
DEPTH (7/8")	0.875 in
WIDTH (1-1/4")	1.250 in
TOLERANCE	± 2.5%
COATING	G40 G60 G90
THICKNESS	.016 in (+/- 5%) - .022 in (+/- 5%)
Fy	50-ksi
WEIGHT 25 (lb/ft)	0.2449
WEIGHT 20 (lb/ft)	0.3789



PRODUCT NAME:	CORNER BEAD (90°)
MATERIAL	Hot Dipped Galvanized Steel Sheet in Coil. ASTM A653, Commercial Steel, Type B, Chemical Treated, Dry No Oil.
WIDTHS / THICKNESS	1 1/4" X 1 1/4" / .012 in
LENGTHS (FT)	8' - 10'
TOLERANCE	± 2.5%





PRODUCT NAME:	<u>CORNER ANGLE</u>		
MATERIAL	Hot Dipped Galvanized Steel Sheet in Coil. ASTM A653, Commercial Steel, Type B, Chemical Treated, Dry No Oil. 40 ksi		
COATING	G40 G60 G90		
WIDTHS	1" x 1"	1 ½" X 1 ½"	2" X 2"
LENGTHS // THICKNESS	8' - 10' - 12' // .0165 in (+/- 5%) & .022 in (+/- 5%)		
TOLERANCE	±2.5%		

